



DNH

HEAD OFFICE, NORWAY

DNH AS

Phone..... + 47 35 98 56 00

Fax..... + 47 35 98 56 10

E-mail..... dnh@dnh.no

Web-Site..... www.dnh.no

ENGLAND

DNH WW Ltd

Phone..... + 44 1908 275 000

Fax..... + 44 1908 275 100

E-mail..... dnh@dnh.co.uk

GERMANY

DNH GmbH

Phone... + 49 040 6569 30-0

Fax..... + 49 040 6569 30-30

E-mail..... dnh@dnh.de

USA

DNH Speakers Inc

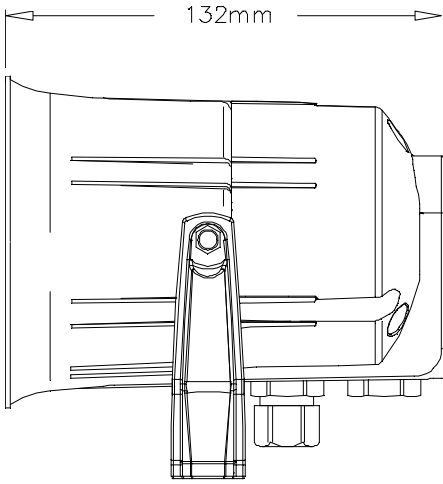
Phone..... + 1 484 494 5790

Fax..... + 1 484 494 5793

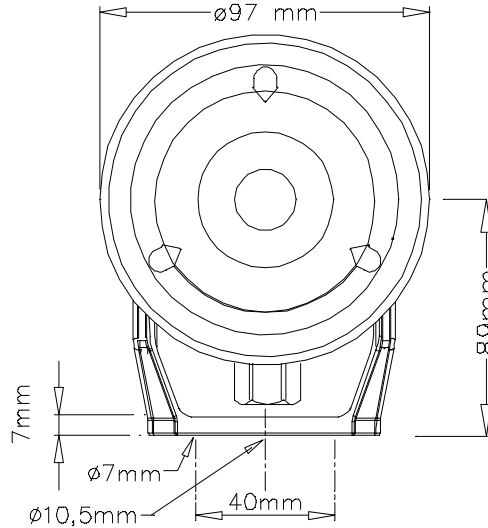
E-mail..... dnh@dnhspeakers.com

HP-6C(T)

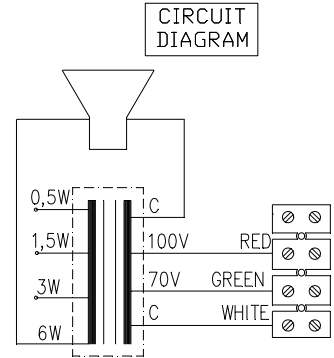
ISO 9001 CERTIFIED



1xM20 cable gland
1xM20 blanking plug
cable diameter
6 – 12mm



All outside nuts and screws in stainless steel



| 100V transformer Secondary nominal tapings | |
|--|-------|
| C : 6W | 6,0 W |
| C : 3W | 3,0 W |
| C : 1,5W | 1,5 W |
| C : 0,5W | 0,5 W |

Sound pressure levels at 1W/1m MP-6

SPL vs Freq



Specifications

| | |
|---------------------------------|------------------------------|
| Material / Color | Polyamide UL94 V0 / RAL 7035 |
| Mounting | Bracket |
| Termination | Inside screw terminal |
| Weight w/transformer | 0,62 kg |
| IP-rating | 67 |
| Max. / min. amb. temp | 110°C / -40°C |
| Rated / max. power | 6 W / 10 W |
| SPL 1W/1m | 100 dB |
| SPL rated power | 107 dB |
| Effective freq. range | 300 – 20000 Hz |
| Dispersion (-6dB) 1kHz / 4kHz | 178° / 62° |
| Directivity factor, Q 1kHz/4kHz | 2,0 / 5,8 |
| Options | Impedance, colors, labels |

Installation, Operation and Maintenance Procedures

- Remove lid, lead cable through cable gland.
- Connect to terminal 70V: white - green or 100V: white - red.
- Select required power by changing the position of the black wire connected to the transformer; choose according to the label inside the loudspeaker.
- Fasten bracket with 1-3 screws.
- Fasten lid with a torque of 1,5 Nm.
- To change the position of the loudspeaker, please adjust the bracket (by loosening / tightening the screws) as required.
- For optimum performance, always use the correct voltage / power and operate within the frequency limits as stated.
- This loudspeaker is supplied with a two years warranty against defective materials and workmanship.

DNH reserves the right to alter specifications without notice

